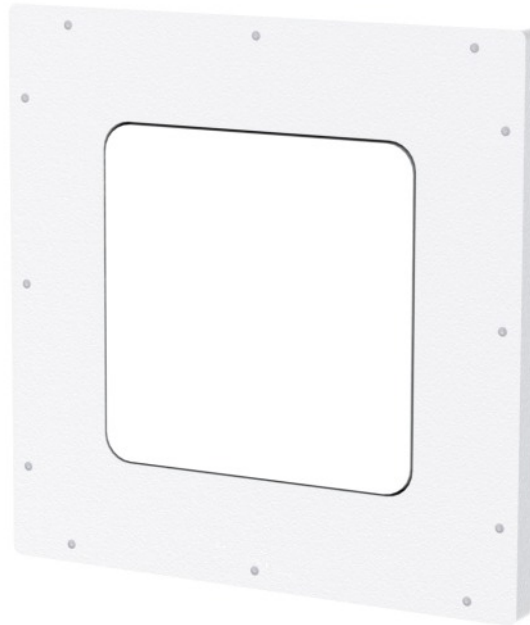


## L-GFG Series



### Gypsum Fiber Glass Access Doors

**Doors** are designed to be architecturally pleasing with a design which allows the door and frame to blend seamlessly with the gypsum ceiling. With a tapered edge for joint tape, they are easily textured, light weight and will not crack or shrink.

**Door and Frame** are fabricated from glass reinforced gypsum.

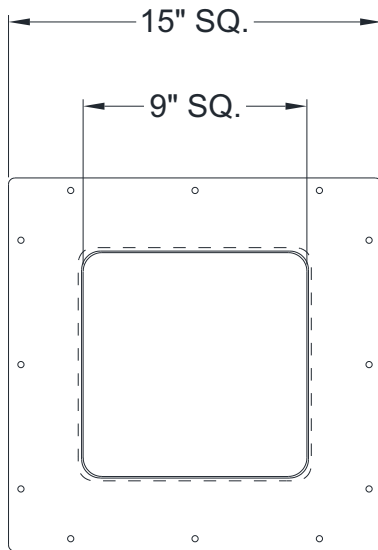
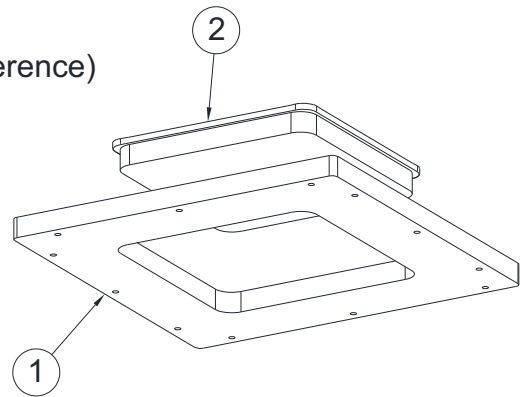
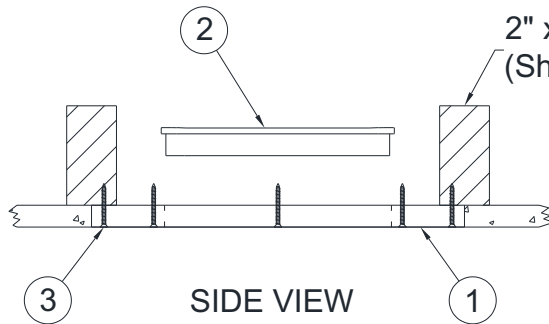
**Flange** has depressions for screw placement and is tapered for joint compound application.

#### Guide Specification

Provide Elmdor GFG series gypsum fiber glass access door (specify model number). Access door and frame shall be fabricated from glass reinforced gypsum. Frame shall have pre-positioned depressions for screw placement and tapered for application of joint compound.

**MODEL NUMBER AND OPTIONS SELECTION**
**Suffix Options**

"No Available Options"

**BASE MODEL NUMBER**
 GFG Gypsum Fiber Glass

**NOTES:**

1. Panel Frame
2. Door
3. Mounting Hardware (By Others)

**STANDARD AVAILABLE SIZES**

NOMINAL DOOR SIZE (W X H)	ROUGH OPENING	WEIGHT
9" x 9"	15" x 15"	6 lbs.
12" x 12"	18" x 18"	9 lbs.
16" x 16"	22" x 22"	10 lbs.
18" x 18"	24" x 24"	11 lbs.
22" x 30"	28" x 36"	16 lbs.
24" x 24"	30" x 30"	16 lbs.
30" x 30"	36" x 36"	20 lbs.

Call Larsen's Manufacturing Co. for current listings and approvals. Dimensions are subject to manufacturer's tolerance and may change without notice. Larsen's assumes no responsibility for use of void or superceded data. © Copyright Larsen's Manufacturing Co.®, Member of Morris Group International® Please visit [www.larsensmfg.com](http://www.larsensmfg.com) for most current specifications.

**⚠ WARNING:** Cancer and Reproductive Harm - [www.P65Warnings.ca.gov](http://www.P65Warnings.ca.gov)

**SELECTION SUMMARY & APPROVAL FOR MANUFACTURING**

Model Number & Options \_\_\_\_\_ Quantity \_\_\_\_\_  
 Company \_\_\_\_\_ Date \_\_\_\_\_  
 Contact \_\_\_\_\_ Title \_\_\_\_\_  
 Approval for Manufacturing/Signature \_\_\_\_\_

**L-GFG**

NEW: 01/24/24