

L-FRC Series



Fire Rated Ceiling Access Doors

L-FRC Series access doors are rated by Underwriters Laboratories for 1-1/2 hours, "B" label in walls, Warnock Hersey for 3 hours in ceilings and 2 hours in walls, CAN/ULC S104 for 2 hours in walls. The L-FRC Series Doors should be utilized when providing access in fire rated walls and ceilings. L-FRC Series Doors have heavy-duty spring closures to ensure positive latching when panel closes. An interior latch release is also included on all doors to enable unlocking from inside.

Door is fabricated from 20 gauge, galvanized steel with a white prime coat finish. Door panel is provided with 2" of insulation in a sandwich type construction.

Frame is fabricated from 16 gauge, galvanized steel with a white prime coat finish and provided with masonry anchors and bolt holes.

Hinge is fully concealed and mounted on the long side of the rectangular door panel.

Exterior latch is a dual purpose lock that features a knurled knob and key operation. Both are provided at time of shipping.

Interior latch release slide is included enabling door to be opened from the inside.

Guide Specification

Provide Larsen's[®] L-FRC Series, Fire Rated Ceiling Access Doors (specify model number and options). Access door frame shall be fabricated from 16 gauge galvanized steel with a white prime coat finish and provided with masonry anchors and bolt holes. Access door panel shall be fabricated from 20 gauge, galvanized steel with a white prime coat finish. Door shall be filled with 2" thick, fire rated insulation, and be welded pan type. Access door shall have automatic closer, be self-latching and contain interior latch release. Exterior latching shall be recessed and universal self-latching bolt, operated by either a knurled knob or flush key. Finish shall be a white prime coat suitable for painting.

Underwriters Laboratories classification shall be: Classified access frame and fire door assembly 1-1/2 hours, "B" Label. Meets ANSI-UL 10B standard. Finish shall be a white prime coat suitable for painting.



MODEL NUMBER AND OPTIONS SELECTION

BASE MODEL NUMBER

L-FRC Fire Rated Ceiling Access Door

Suffix Options

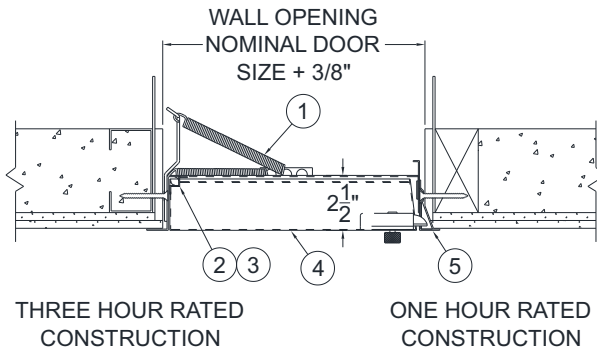
- GB Galvanized Drywall Bead
 -MLP Mortise Cylinder Lock (Prep)
 -SS Stainless Steel Construction (Type 304 No. 4 Satin Finish)

STANDARD AVAILABLE SIZES

Special sizes available upon request.

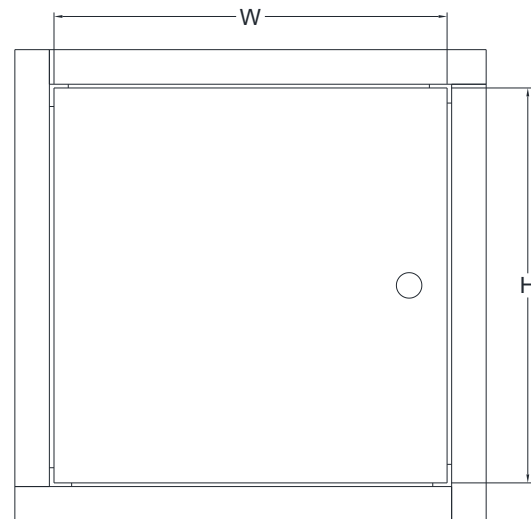
NOMINAL DOOR SIZE (W X H)	CEILING OPENING	WALL OPENING	LATCHES	WEIGHT
L-FRC 8" x 8"	9-5/8" x 9-5/8"	8-3/8" x 8-3/8"	1	11 lbs.
L-FRC 10" x 10"	11-5/8" x 11-5/8"	10-3/8" x 10-3/8"	1	12 lbs.
L-FRC 12" x 12"	13-5/8" x 13-5/8"	12-3/8" x 12-3/8"	1	15 lbs.
L-FRC 14" x 14"	15-5/8" x 15-5/8"	14-3/8" x 14-3/8"	1	17 lbs.
L-FRC 16" x 16"	17-5/8" x 17-5/8"	16-3/8" x 16-3/8"	1	18 lbs.
L-FRC 18" x 18"	19-5/8" x 19-5/8"	18-3/8" x 18-3/8"	1	20 lbs.
L-FRC 18" x 24"	19-5/8" x 25-5/8"	18-3/8" x 24-3/8"	1	26 lbs.
L-FRC 20" x 20"	21-5/8" x 21-5/8"	20-3/8" x 20-3/8"	1	24 lbs.
L-FRC 22" x 30"	23-5/8" x 31-5/8"	22-3/8" x 30-3/8"	2	32 lbs.
L-FRC 22" x 36"	23-5/8" x 37-5/8"	22-3/8" x 36-3/8"	2	40 lbs.
L-FRC 24" x 24"	25-5/8" x 25-5/8"	24-3/8" x 24-3/8"	1	28 lbs.
L-FRC 24" x 36"	25-5/8" x 37-5/8"	24-3/8" x 36-3/8"	2	40 lbs.

Note: On sizes 16" x 16" and larger, an extra spring is supplied with the door and must be attached from back of door pan to framing, or floor above, in such a manner to ensure that door is self closing.



SIDE VIEW

1. LATCH SPRING
2. HINGE BRACKET
3. HINGE PIN
4. DOOR
5. FRAME



FRONT VIEW

⚠ WARNING: Cancer and Reproductive Harm - www.P65Warnings.ca.gov

Call Larsen's Manufacturing Co. for current listings and approvals. Dimensions are subject to manufacturer's tolerance and may change without notice. Larsen's assumes no responsibility for use of void or superseded data. © Copyright Larsen's Manufacturing Co.®, Member of Morris Group International® Please visit www.larsensmfg.com for most current specifications.

SELECTION SUMMARY & APPROVAL FOR MANUFACTURING

Model Number & Options _____ Quantity _____
 Company _____ Date _____
 Contact _____ Title _____
 Approval for Manufacturing/Signature _____

L-FRC

Revised: 04/04/2019