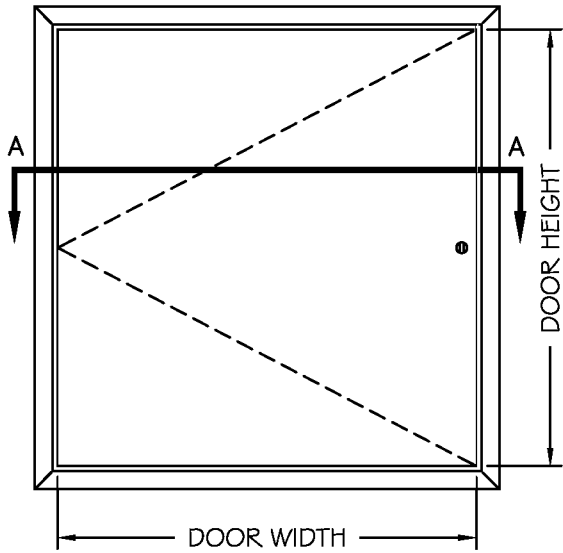


# L-MPSS SERIES STAINLESS

## NON-RATED FLUSH ACCESS PANEL FOR ALL SURFACES



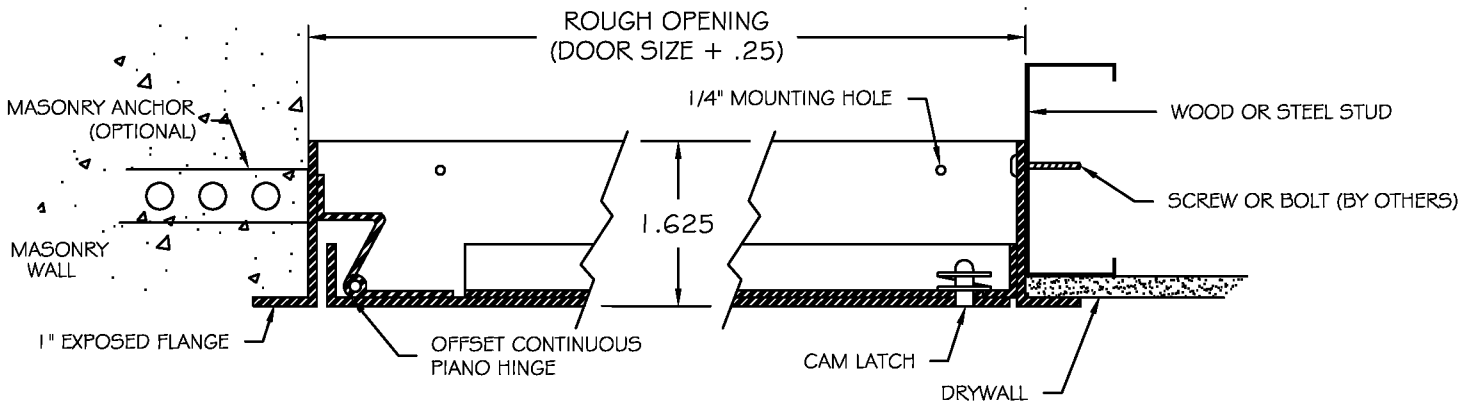
FRONT ELEVATION  
NOT TO SCALE

### SPECIFICATIONS

- 16 GAUGE 304 SST FRAME, #4 SATIN FINISH
- 14 GAUGE 304 SST DOOR, #4 SATIN FINISH
- FLUSH CONTINUOUS HINGE
- FRAMES ARE PROVIDED WITH 1/4" MOUNTING HOLES
- FLUSH SCREWDRIVER OPERATED SST CAM LATCH

### OPTIONS

- KEY OPERATED CAM LOCK
- ALLEN HEAD SECURITY CAM LATCHES
- PREPARATION FOR 1.125" MORTISE LOCK  
(LOCK PROVIDED BY OTHERS OR BY LARSENS)
- MASONRY ANCHORS ATTACHED



CUT-THRU SECTION  
NOT TO SCALE

### LARSEN'S MANUFACTURING CO.

7421 COMMERCE LANE  
MINNEAPOLIS, MN 55432  
PHONE: 800-527-7367  
FAX: 763-571-6900

PROJECT:			
CONTRACTOR:			
DISTRIBUTOR:			
DRAWN BY: GML	DATE: 11-02-2006	QUANTITY:	TITLE: L-MPSS.DOC

# L-MPSS SERIES STAINLESS

ALL PURPOSE NON-RATED ACCESS PANEL

## Standard Features:

<b>Door:</b>	14 gauge (1.90 mm thick) #304 stainless steel with #4 satin finish
<b>Frame:</b>	16 gauge (1.52 mm thick) #304 stainless steel with 1" flange and #4 satin finish
<b>Hinge:</b>	Stainless steel continuous piano hinge
<b>Latch:</b>	Screwdriver operated cam latch(es) Optional: key operated cam lock, pinned allen head security cam latch(es), mortise cylinder preparation (cylinder provided by Larsens or others)
<b>Finish:</b>	#4 satin finish

## Specifications:

Frame shall be 16 gauge and door shall be 14 gauge #304 stainless steel. Flange shall be 1" wide. Hinge shall be stainless steel continuous piano type. Latch(es) shall be a screwdriver operated cam type (optional: key operated cam lock, pinned allen head security cam latch, or preparation to receive 1-1/8" mortise cylinder – cylinder provided by Larsens or others). Finish shall be #4 satin finish.

Installation shall be in accordance with manufacturer's instructions. Manufacturer shall guarantee against defects in material and workmanship for a period of one year.

## Standard Sizes:

Std sizes (in)	Std Sizes (mm)	Weight/Latches	Std Sizes (in)	Std Sizes (mm)	Weight/Latches
06x06	152x152	3/1	20x30	508x762	19/5
08x08	203x203	4/1	22x22	559x559	19/4
10x10	254x254	5/1	22x30	559x762	22/5
12x12	305x305	7/1	24x24	610x610	20/4
12x18	305x457	10/1	24x30	610x762	24/5
12x24	305x610	12/1	24x36	610x914	28/5
14x14	356x356	8/1	24x48	610x1219	33/6
16x16	406x406	11/1	30x30	762x762	26/5
16x20	406x508	12/2	32x32	813x813	29/5
18x18	457x457	12/2	36x36	914x914	36/5
18x24	457x610	18/3	36x48	914x1219	52/7

All units are hinged on the second dimension (height). Rough opening is door size plus ¼".