

L-AI Series



Lightweight Aluminum Insulated Access Doors

Lightweight Aluminum Insulated Doors are lightweight ideally suited for new installations or for remodeling on wall or ceilings.

Door and Frame are fabricated of a .064" thick aluminum door panel and .094" thick aluminum extruded frame with a mill finish. Unit will include 1/8" x 3/8" closed cell neoprene gasketing.

Frame includes a 1-5/16" mitered aluminum extrusion flange with 1-1/2" deep mounting frame. Wall frame is provided with 1/4" x 1/2" mounting slots for fastening within the furred spaces allowing faster installation and fixing maximum clearance.

Doors to have concealed pin hinge. Door will include 3/4" Type 3 Expanded Polystyrene (EPS) Foil Lined Insulation, with a 3.18 R Value.

Latch is screwdriver operated cam latch.

Finish is a mill finish.

Guide Specification

Provide Larsen's[®] L-AI Series, Lightweight Aluminum Access Doors (Specify model number and options). Access door and frame shall be fabricated from a .064" thick aluminum door panel and .094" thick aluminum extruded frame with a mill finish. Doors to have concealed pin hinge. Door will include 3/4" Type 3 Expanded Polystyrene (EPS) Foil Lined Insulation, with a 3.18 R Value. Latch shall be screwdriver operated cam latch. Unit will include 1/8" x 3/8" closed cell neoprene gasketing.

MODEL NUMBER AND OPTIONS SELECTION

BASE MODEL NUMBER

L-AI Lightweight Aluminum Access Door

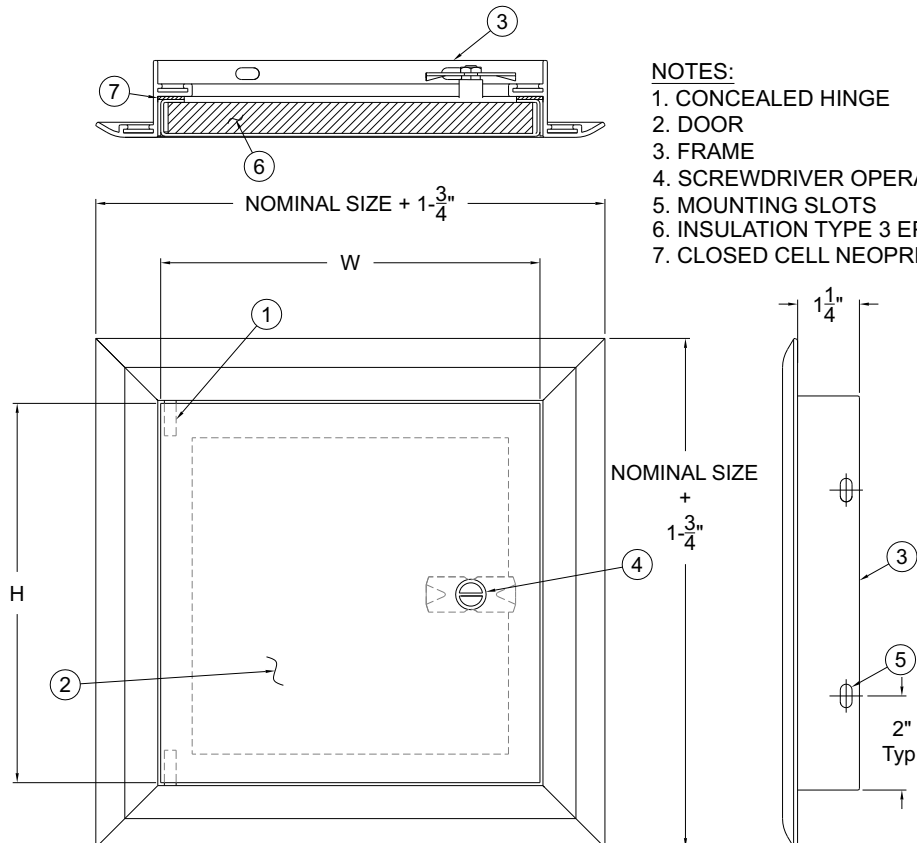
Suffix Options

- AKL Allen Key Latch
- CL Cylinder Lock (one per door)
- CLD Cylinder Lock with Dust Shutter (one per door)

STANDARD AVAILABLE SIZES

Special sizes available upon request.

NOMINAL DOOR SIZE (W x H)	WALL OPENING	LATCHES	WEIGHT
L-AI 8" x 8"	8-5/8" x 8-5/8"	1	2.0 lbs.
L-AI 10" x 10"	10-5/8" x 10-5/8"	1	2.5 lbs.
L-AI 12" x 12"	12-5/8" x 12-5/8"	1	3.0 lbs.
L-AI 14" x 14"	14-5/8" x 14-5/8"	1	4.0 lbs.
L-AI 18" x 18"	18-5/8" x 18-5/8"	1	5.0 lbs.
L-AI 24" x 24"	24-5/8" x 24-5/8"	1	8.0 lbs.
L-AI 24" x 36"	24-5/8" x 36-5/8"	2	11.0 lbs.
L-AI 24" x 48"	24-5/8" x 48-5/8"	2	14.0 lbs.
L-AI 30" x 30"	30-5/8" x 30-5/8"	2	11.0 lbs.
L-AI 36" x 36"	36-5/8" x 36-5/8"	2	14.5 lbs.
L-AI 36" x 48"	36-5/8" x 48-5/8"	2	18.25 lbs.



NOTES:

1. CONCEALED HINGE
2. DOOR
3. FRAME
4. SCREWDRIVER OPERATED CAM LATCH
5. MOUNTING SLOTS
6. INSULATION TYPE 3 EPS THERMAL BOARD
7. CLOSED CELL NEOPRENE GASKETING

⚠ WARNING: Cancer and Reproductive Harm - www.P65Warnings.ca.gov

Call Larsen's Manufacturing Co. for current listings and approvals. Dimensions are subject to manufacturer's tolerance and may change without notice. Larsen's assumes no responsibility for use of void or superceded data. © Copyright Larsen's Manufacturing Co.®, Member of Morris Group International® Please visit www.larsensmfg.com for most current specifications.

SELECTION SUMMARY & APPROVAL FOR MANUFACTURING

Model Number & Options _____ Quantity _____
 Company _____ Date _____
 Contact _____ Title _____
 Approval for Manufacturing/Signature _____

L-AI

Revised: 10/04/23